



RENTAL EQUIPMENTS

CONTENTS

| | | |
|-----|---|---|
| 1. | SPT Water Pump 22,5m ³ /h | 2 |
| 2. | Metabo Water Pump 19,0m ³ /h | 2 |
| 3. | 3" Hose with Storz connection - 15m | 2 |
| 4. | 2" Hose with NOR connection - 10m | 3 |
| 5. | 2" Hose with NOR connection - 20m | 3 |
| 6. | 2" Hose with NOR connection - 30m | 3 |
| 7. | 55T H-Shackle G-4163 | 3 |
| 8. | Mooring Winch 70T | 4 |
| 9. | 85t SWL Wire Sheave | 4 |
| 10. | Spooling Winch 300T | 4 |

All cost is based on rental within normal working hours.

Mon-Fri. 08:00 - 15:00

Added mob/demob cost NOK. 2.000,- outside normal working hours.

Rental start when leaving our address and continue until delivered back to our address.

Rental according to our T&C.

For more information:

Contact:

+47 52 99 01 30

post@hmarine.no



1. SPT Water Pump 22,5m³/h

One face 230V, 750W, 375l/min with 3" Storz connection

H max : 18meter

Max depth : 10meter

Weight : 17 kg

Length of el. Cabel : 10m

Rental period, min 5 days.

Dayrate NOK. 850,-

Mob/Demob NOK. 2.000,-



2. Metabo Water Pump 19,0m³/h

One face 230V, 1100W, 317l/min with 2" NOR connection

H max : 11meter

Max depth : 7meter

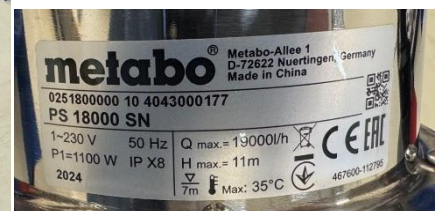
Weight : 15 kg

Length of el. Cabel : 10m

Rental period, min 5 days.

Dayrate NOK. 750,-

Mob/Demob NOK. 2.000,-



3. 3" Hose with Storz connection - 15m

15meter hose for SPT Water Pump 22,5m³/h

Rental period, min 5 days.

Dayrate NOK. 200,-

Mob/Demob NOK. 500,-



4. 2" Hose with NOR connection - 10m

10 meter hose for Metabo Water Pump 19,0m³/h

Rental period, min 5 days.

Dayrate NOK. 150,-

Mob/Demob NOK. 500,-

5. 2" Hose with NOR connection - 20m

20 meter hose for Metabo Water Pump 19,0m³/h

Rental period, min 5 days.

Dayrate NOK. 200,-

Mob/Demob NOK. 500,-

6. 2" Hose with NOR connection - 30m

30 meter hose for Metabo Water Pump 19,0m³/h

Rental period, min 5 days.

Dayrate NOK. 250,-

Mob/Demob NOK. 500,-

7. 55T H-Shackle G-4163

H-Shackle G-4163 55t (with safety bolt)

Rental period, min 5 days.

Dayrate NOK. 75,-

Mob/Demob NOK. 500,-



8. Mooring Winch 70T

Electrical mooring winch with 70t pull on inner layer $\varnothing 800\text{mm}$.

Winch drum diameter $\varnothing 1690\text{mm} \times 747\text{mm}$, max 500m $\varnothing 52\text{mm}$ wire.

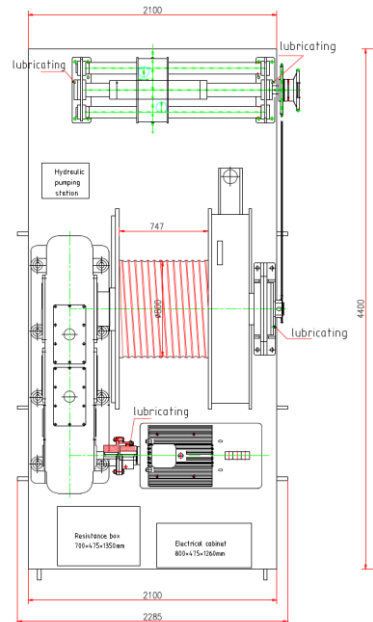
Controlled with frequency converter.

400V/50Hz 3Phase 55kw.

Rental period, min 5 days.

Dayrate NOK. 15.000,-, including operator.

Mob/Demob NOK. 10.000,-



9. 85t SWL Wire Sheave

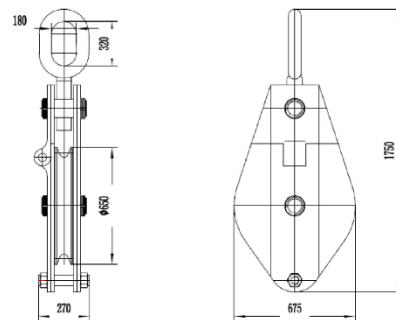
85t SWL Wire sheave.

For 30 – 77mm wire.

Rental period, min 5 days.

Dayrate NOK. 650,-.

Mob/Demob NOK. 2.000,-



10. Spooling Winch 300T

Electrical spooling winch with 400KNm pull.

Drum: Centre $\varnothing 80 - \varnothing 250\text{mm}$, Drive pin $\varnothing 40 - \varnothing 80\text{mm}$

Maximum $\varnothing 5000\text{mm} \times 5000\text{mm}$, maximum 300.000kg weight.

Controlled with frequency converter.

400V/50Hz 3Phase 2 x 75kw.

Rental period, min 5 days.

Dayrate NOK. 29.900,-, including 2 x operators.

Mob/Demob NOK. 15.000,-

