

HAAKONSEN MARINE AS

MARINE OPERATIONS



RENTAL EQUIPMENTS

1. 10T A-FRAME
2. 55KW HPU
3. 15T Winch
4. 125T Wide Body Shackle
5. 75T Wide Body Shackle
6. Gas Meter
7. Yokohama Fender
8. Mezz Deck

All cost is based on rental within normal working hours.

Mon-Fri. 08:00 - 15:00

Added mob/demob cost NOK. 2.000,- outside normal working hours.

Rental start when leaving our address and continue until delivered back to our address.

For more information:

Contact:

+47 52 99 01 30

post@hmarine.no

HAAKONSEN MARINE AS

MARINE OPERATIONS



1. 10T A-FRAME

A-frame is manufactured according to NORSOK standard and DNV Lifting appliances.

- 10 ton capacity on padeye for snatch block
- Up to 5 ton winch pull and 5 ton weight in wire
- For use on installations and vessels.
- For use up to Hs 3 meter.
- HEB200 bottom frame 5.1m x 3.2m
- Ends, HUP 400mm x 200mm x 12mm
- Cover plate 5 mm
- Painting NORSOK System 1 (RAL 1007)

A-frame comes with two hydraulic cylinders and PVG 32 control valve with pressure adjustment.

Cylinder work pressure: 210 Bar
Fluid type: Shell T32 or similar

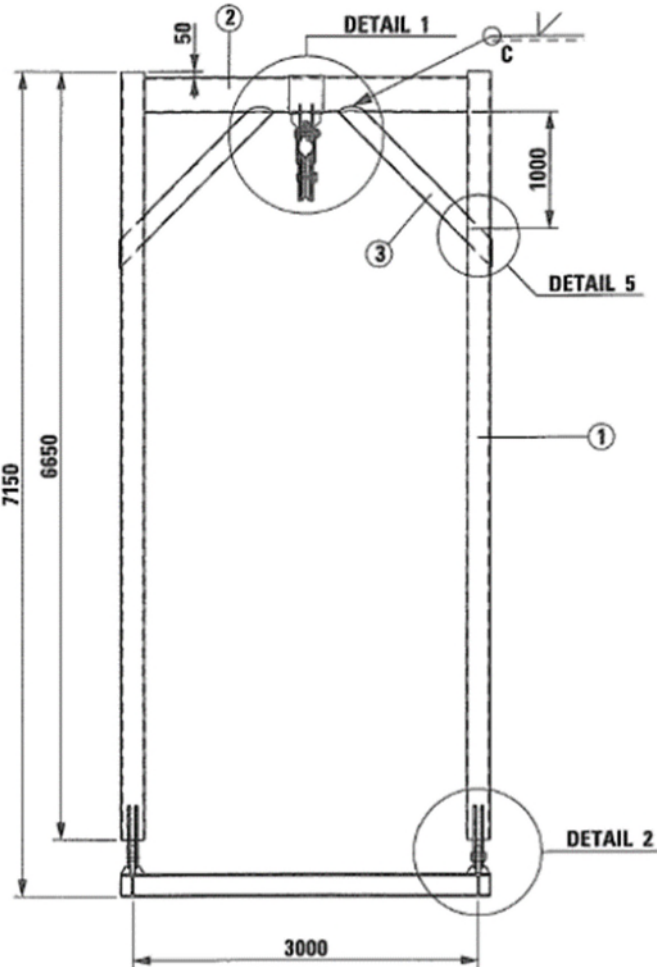
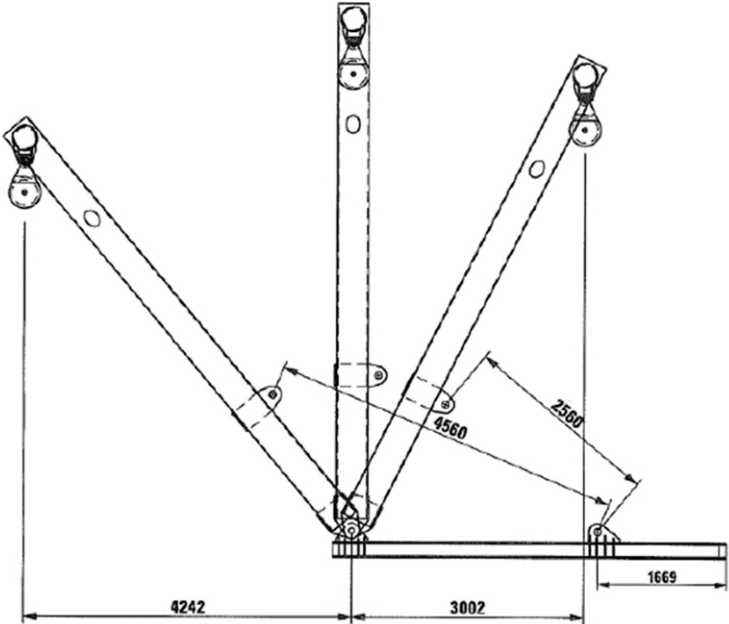
Dayrate NOK. 2.000,-

Mob/Demob NOK. 5.000,-



HAAKONSEN MARINE AS

MARINE OPERATIONS



HAAKONSEN MARINE AS

MARINE OPERATIONS



2. 55KW HPU

HPU

Power:	55 kW
For connection to:	380/440 Volt 50/60 hz 3 phase
Oil flow:	210 liter/min
Oil pressure:	210 Bar
Oil type:	Shell T32 or similar
Oil tank:	600 liter
Dimensions:	W 1 m x L 1.7 m x H 2 m

With starter box, water cooler, pressure gauge, pressure and return filter, level glass, flow and pressure control valve. Mounted in steel skid with lifting lugs, chain sling and forklift pockets.

Dayrate NOK. 1.500,-

Mob/Demob NOK. 3.000,-



HAAKONSEN MARINE AS

MARINE OPERATIONS



3. 15T Winch

Winch Drum

The winch drum is a fabricated unit manufactured from profiled steel flanges supported by strong webs and

welded to a high strength steel tubular core.

Drum Configuration:	Single Drum
Drum Dimensions:	600mm core x 1680mm flange x 1080mm between flanges
Wire Exit Position:	Under Spooling
Maximum Wire Rope Capacity:	2000 metres of 28mm wire rope
Bend Radius of Wire Rope:	22.4 times on first layer

Winch Speed Step

Speed 1:	Low Speed 4.588 ltr / rev displacement
Speed 2:	High Speed 1.966 ltr / rev displacement

Drive Unit

The winch drum is directly driven via an enclosed gear box reduction that is in turn driven by 2 off Staffa

Hydraulic motors.

Motor Manufacturer:	Staffa
Motor Quantity:	2
Motor Type Radial:	Piston Hydraulic Motor
Overall Displacement:	Low Speed 4.588 ltr / rev displacement High Speed 1.966 ltr / rev displacement
Gear Type:	Gearbox
Gear Ratio:	5.76 : 1

Brake

The braking system is an automatic, failsafe band brake operating directly on the winch drum.

Brake Type:	Automatic failsafe band type
Brake Capacity:	112400Nm
Brake Release Pressure:	40 Bar
Brake Hold Load:	238% maximum line pull

HAAKONSEN MARINE AS

MARINE OPERATIONS



Spooling

The HM winch is fitted with a heavy duty spooling carriage supported by a large diameter shafts diamond lead screw type spooling gear, which can be synchronised to suit 28mm wire rope. The spooling gear is driven by a heavy duty chain drive from the end of the winch drum.

Position of Carriage: 20 degrees under spooling

Carriage Rollers: S355 steel tube case hardened

Maximum Spooling Width: 1080mm (as drum)



Dayrate NOK. 2.500,-

Mob/Demob NOK. 5.000,-

We have 2.000m \varnothing 16mm non-rotating wire available. MBL 25,0T

We have 2.000m \varnothing 12mm Dyneema SK-78 fibre rope available. MBL 15,4T

Installation of wire/fibre NOK. 5.000,-

Dayrate winch including wire or fibre NOK. 4.000,-

HAAKONSEN MARINE AS
MARINE OPERATIONS



4. 125T Wide Body Shackle

P.O. Box 57, 3360 AB Sliedrecht
Industrieweg 6, 3361 HJ Sliedrecht
The Netherlands

Telephone : +31 184 413300
Fax : +31 184 414959
E-mail : sales@vanbeest.com
Website : www.vanbeest.com



Certex Peter Harbo A.S.
Olievej 4
6700 ESBJERG
DENMARK

INSPECTION CERTIFICATE TO EN 10204 - TYPE 3.1

Number	80132632	Date	07.01.2017
Customer no.	30377	Page	2 / 2
Our order no.	189956	In compliance with	Your ref. no. 105227

Quantity	4
Article	SLGPF0125
Description	P-6033, Green Pin® Sling Shackles, bow shackles with safety bolt, with Lloyd's PL certificate, painted: bow silver, pin green, grade 8, diameter body 85 mm, diameter pin 80 mm, WLL 125 ton

Product reference number(s):			
NTS1600300.07	NTS1600300.13	NTS1600300.24	NTS1600300.30

Dayrate NOK. 125,-

Mob/Demob NOK. 1.000,-

Please note that minimum hire period is 7 days.

HAAKONSEN MARINE AS

MARINE OPERATIONS



5. 75T Wide Body Shackle

P.O. Box 57, 3360 AB Sliedrecht
 Industrieweg 6, 3361 HJ Sliedrecht
 The Netherlands

Telephone : +31 184 413300
 Fax : +31 184 414959
 E-mail : sales@vanbeest.com
 Website : www.vanbeest.com



Certex Peter Harbo A.S.
 Olievej 4
 6700 ESBJERG
 DENMARK

INSPECTION CERTIFICATE TO EN 10204 - TYPE 3.1

Number	80132632	Date	07.01.2017
Customer no.	30377	Page	2 / 2
Our order no.	189956	In compliance with	Your ref. no. 105227

Quantity	16
Article	SLGPF0075
Description	P-6033, Green Pin® Sling Shackles, bow shackles with safety bolt, with Lloyd's PL certificate, painted: bow silver, pin green, grade 8, diameter body 68 mm, diameter pin 70 mm, WLL 75 ton

Product reference number(s):			
NTS1600420.03	NTS1600420.04	NTS1600420.08	NTS1600420.17
NTS1600420.18	NTS1600420.21	NTS1600420.22	NTS1600420.28
NTS1600420.30	NTS1600420.32	NTS1600420.36	NTS1600420.37
NTS1600420.38	NTS1600420.41	NTS1600420.44	NTS1600420.48

Dayrate NOK. 75,-

Mob/Demob NOK. 1.000,-

Please note that minimum hire period is 7 days.



6. Gas Meter

BW Icon+ (%LEL(IR), O₂, H₂S, CO), Yellow



Dayrate NOK. 100,-

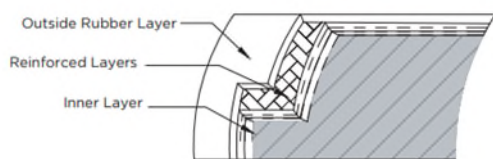
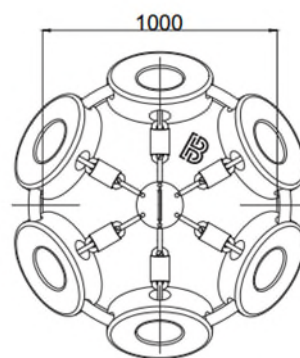
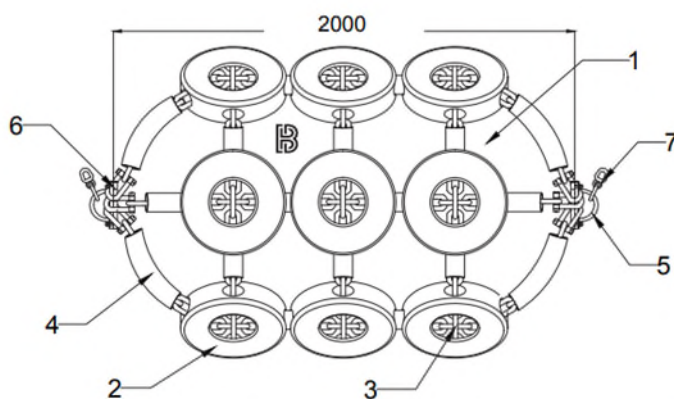
Mob/Demob NOK. 1.000,-

Please note that minimum hire period is 7 days.



7. Yokohama Fender

Yokohama fender 1,5 x 2,0m



NOTE: Drawing for illustration purposes. See chart below for details of parts.

7	Swivel	M26	2	SS400HDG
6	Shackle	M28	2	SS400HDG
5	Pull ring	30 x 300	2	SS400HDG
4	Rubber Sleeve			Rubber
3	Chain	Ø14		SS400HDG
2	Tires	450-12	18	Rubber
1	Fender Body	1000 x 2000	1	Rubber
NO.				
Performance: Rated Deflection 60%			Initial Pressure: 50 kPa	
Weight: 235 kgs			Reaction force: 257 kN	
Energy Absorption: 45 KN-M				

Dayrate NOK. 400,-

Mob/Demob NOK. 1.000,-

Please note that minimum hire period is 7 days.

Hire period over 30 days = Dayrate NOK. 350,-

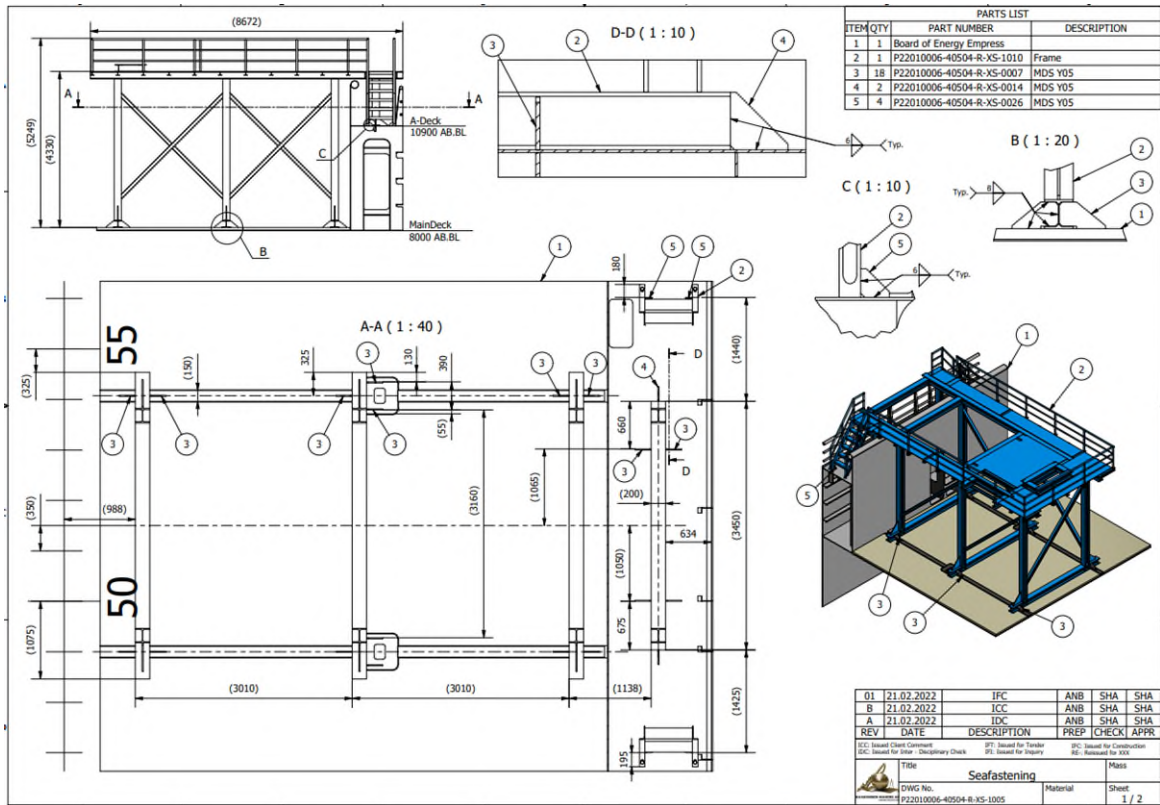
HAAKONSEN MARINE AS

MARINE OPERATIONS



8. Mezz Deck

Mezzanine deck for 10T A-Frame



Dayrate NOK. 4.000,-

Mob/Demob NOK. 10.000,-

